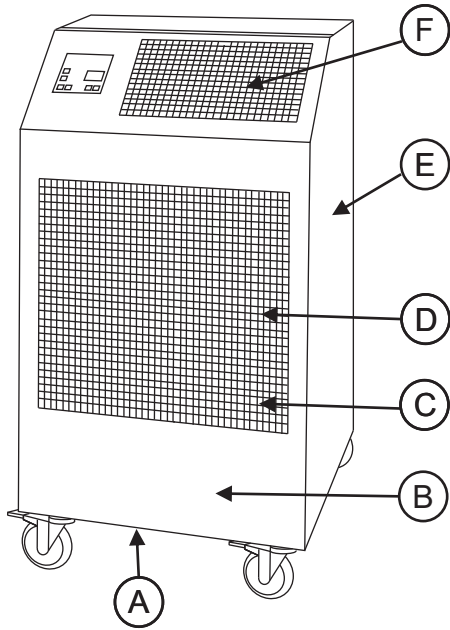
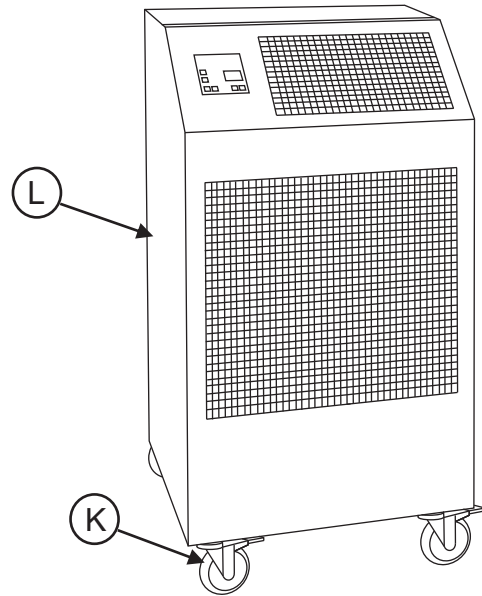


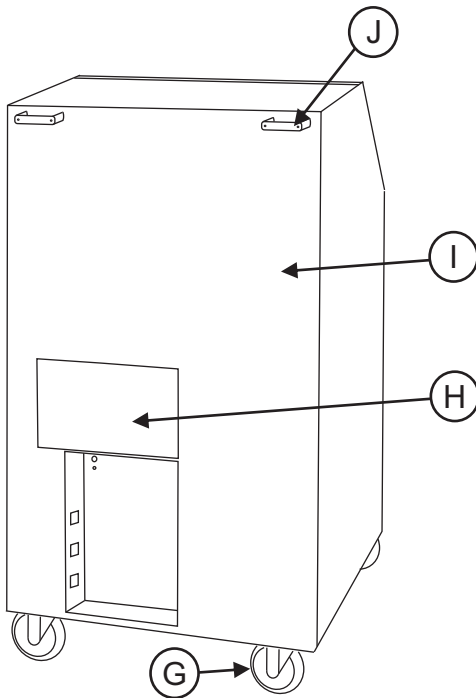
EXTERIOR PANEL DIAGRAM - OWC3612, OWC3632, OWC3634



FRONT/RIGHT SIDE



FRONT/LEFT SIDE



REAR/LEFT SIDE

* PART NUMBER	DESCRIPTION
A SA076-814	BASE PAN
B SA076-815	FRONT PANEL
C 038-040	EVAPORATOR RETURN GRILLE
D 030-045	EVAPORATOR FILTER (BEHIND GRILLE)
E SA076-821R	RIGHT SIDE PANEL
F 038-036	DISCHARGE GRILLE
G 011-006	4" SWIVEL CASTER
H SA076-943	CONTROL BOX COVER
I SA076-816	TOP/BACK PANEL
J 042-017	SOFT GRIP HANDLE
K 011-005	4" SWIVEL CASTER WITH BRAKE
L SA076-821L	LEFT SIDE PANEL