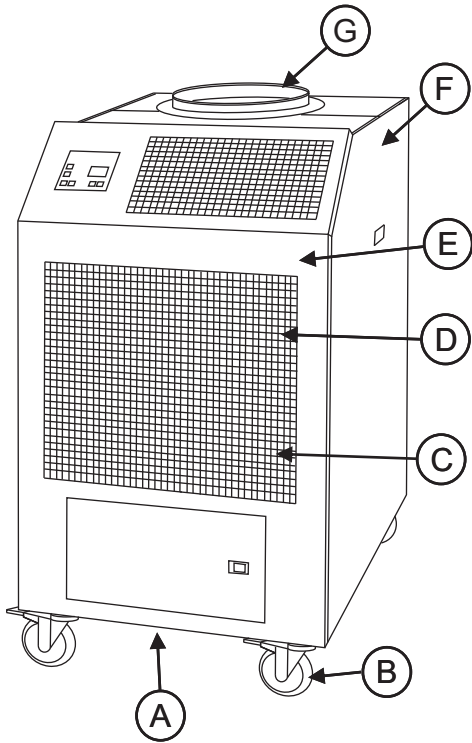
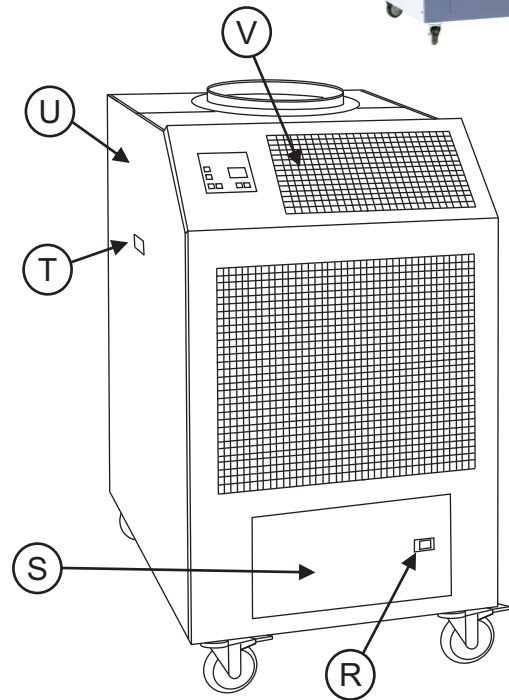


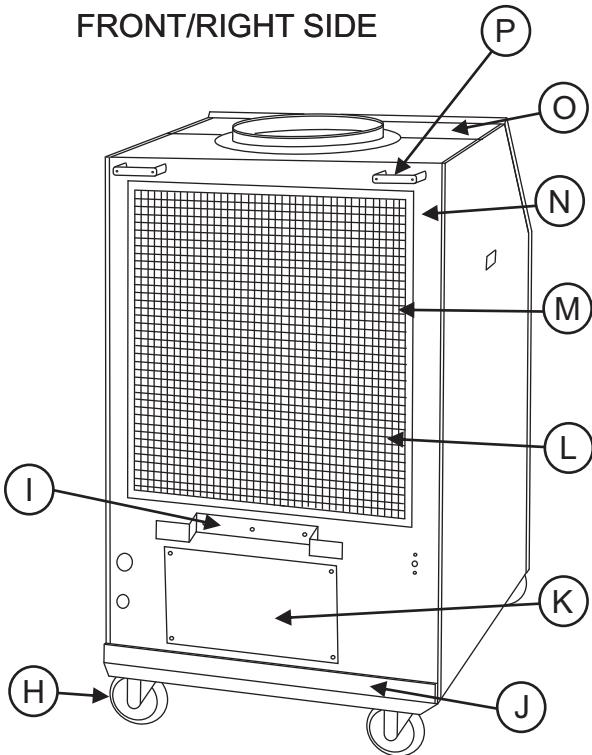
EXTERIOR PANEL DIAGRAM - 2OAC36, 2OACH36



FRONT/RIGHT SIDE



FRONT/LEFT SIDE



REAR/LEFT SIDE

* PART NUMBER	DESCRIPTION
A SA076-778	BASE PAN
B 011-005	4" SWIVEL CASTER WITH BRAKE
C 038-040	EVAPORATOR RETURN GRILLE
D 030-045	EVAPORATOR FILTER (BEHIND GRILLE)
E SA076-781	FRONT PANEL
F SA076-795R	RIGHT SIDE PANEL
G DF-16	16-INCH DUCT FLANGE (SHIPS WITH UNIT)
H 011-006	4" SWIVEL CASTER
I SA076-735	CORD WRAP
J SA076-447	KICK PLATE
K SA076-734	CONTROL BOX COVER
L SA038-041	CONDENSER RETURN GRILLE ASSEMBLY (GRILLE & FRAME)
M 030-046	CONDENSER FILTER (BEHIND GRILLE)
N SA076-779	TOP/BACK PANEL
O SA076-780	PARTITION ASSEMBLY
P 042-017	SOFT GRIP HANDLES
R 042-014	DOOR LATCH
S SA076-337BLUE	TANK ACCESS DOOR
T 042-015	PULL HANDLE
U SA076-795L	LEFT SIDE PANEL
V 038-036	DISCHARGE GRILLE