

OCEANAIRE

MODEL: PWC6034
5 TON PORTABLE
WATER-COOLED AIR CONDITIONER

TECHNICAL SPECIFICATIONS

COOLING CAPACITY	60,100 BTUH
VOLTAGE	460V, 60Hz, 3PH
AMPS	6.3
TOTAL WATTS	5000
IN RUSH AMPS	75
PLUG TYPE	L16-20P
EER	12.0
COMPRESSOR	SCROLL
COMPRESSOR HP	5
COMPRESSOR LRA	62
EVAP CFM - HIGH	1950
EVAP MOTOR HP	1
CONDENSER WATER FLOW	
AT 60°F WATER IN	3.8 GPM
AT 85°F WATER IN	15 GPM
WATER LINE CONNECTIONS	
WATER IN	5/8 MF
WATER OUT	5/8 MF
DRAIN	3/8 MF
CONDENSATE REMOVAL	PUMP AUTOMATIC 20' VERTICAL LIFT
REFRIGERANT CHARGE	52 oz R-410A
HEIGHT	51-1/2 in
WIDTH	27 in
DEPTH	29 in
NET WEIGHT	410 lb



WATER COOLED



SPECIFICATIONS SUBJECT TO CHANGE WITHOUT NOTICE

- ⓘ **Cooling Capacity** is total BTUH at 80°DB/67°WB return air with 85°EWT and 105°LWT
- ⓘ Dedicated Circuit and Time Delay fuses/circuit breakers are recommended
- ⓘ EER is determined at high fan speed
- ⓘ CFM with free discharge
- ⓘ Amps & Watts at 460 Volts

COOLING AMBIENT **OPERATING RANGE 65° TO 105°**

NOT APPROVED FOR OUTDOOR USE



Cooling done Right!
OCEANAIRE

OCEANAIRE-INC.COM
OA-TS-PWC6034-05012020

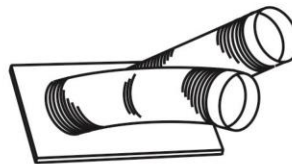
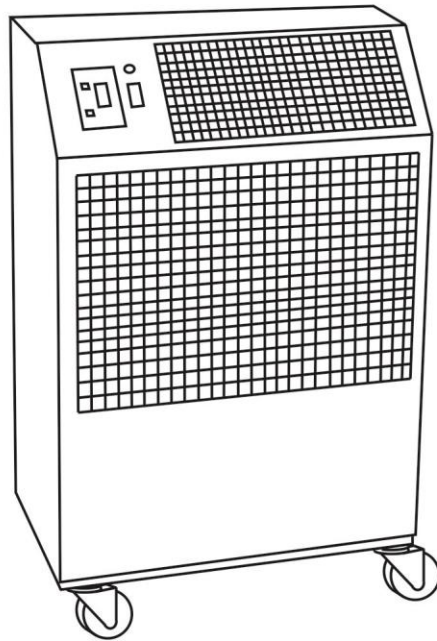
PRODUCT FEATURES

- OA 24 VOLT NON-PROGRAMMABLE ELECTRONIC THERMOSTAT
- OA SWIVEL BALL BEARING CASTERS WITH LOCKING FRONTS
- OA 2-SPEED FAN SWITCH
- OA INTERNAL CONDENSATE PUMP WITH OVERFLOW ALERT LIGHT
- OA AUTOMATIC WATER REGULATING VALVE
- OA HIGH PRESSURE SAFETY SWITCH
- OA WASHABLE ELECTROSTATIC AIR FILTER
- OA THREE PHASE MONITOR

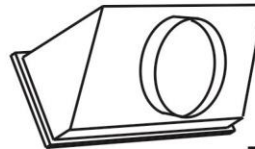


s

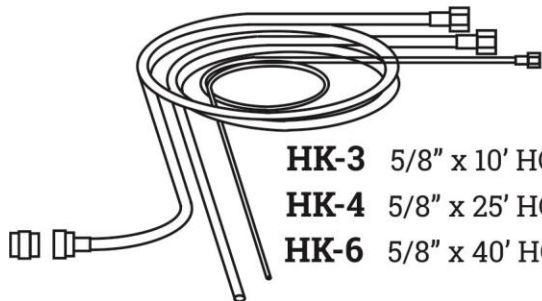
Optional ACCESSORIES



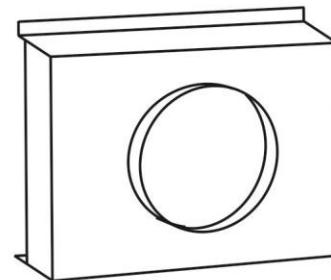
2NK-3 (2 x 8")
NOZZLE KIT
for Directional
Cooling/Heating



2DDA-16
DISCHARGE
DUCT ADAPTER
for Extended
Single Duct Length



HK-3 5/8" x 10' HOSE KIT
HK-4 5/8" x 25' HOSE KIT
HK-6 5/8" x 40' HOSE KIT



DEP-16
EVAPORATOR RETURN
AIR PLENUM