

# OCEANAIRE

**MODEL: PWC3634**  
**3 TON PORTABLE**  
**WATER-COOLED AIR CONDITIONER**

## TECHNICAL SPECIFICATIONS

<b>COOLING CAPACITY</b>	<b>36,100 BTUH</b>
VOLTAGE	460V, 60Hz, 3PH
AMPS	4.7
TOTAL WATTS	2700
IN RUSH AMPS	48
PLUG TYPE	L16-20P
EER	13.4
COMPRESSOR	SCROLL
COMPRESSOR HP	3
COMPRESSOR LRA	35
EVAP CFM - HIGH	1200
EVAP MOTOR HP	1/3
CONDENSER WATER FLOW	
AT 60°F WATER IN	2.2 GPM
AT 85°F WATER IN	9 GPM
WATER LINE CONNECTIONS	
WATER IN	5/8 MF
WATER OUT	5/8 MF
DRAIN	3/8 MF
CONDENSATE REMOVAL	PUMP AUTOMATIC 20' VERTICAL LIFT
REFRIGERANT CHARGE	24 oz R-410A
HEIGHT	50-14 in
WIDTH	28-1/4 in
DEPTH	18 in
NET WEIGHT	310 lb



**WATER COOLED**



### SPECIFICATIONS SUBJECT TO CHANGE WITHOUT NOTICE

- ⓘ **Cooling Capacity** is total BTUH at 80°DB/67°WB return air with 85°EWT and 105°LWT
- ⓘ Dedicated Circuit and Time Delay fuses/circuit breakers are recommended
- ⓘ EER is determined at high fan speed
- ⓘ CFM with free discharge
- ⓘ Amps & Watts at 460 Volts

**COOLING AMBIENT**      **OPERATING RANGE 65° TO 105°**  
**NOT APPROVED FOR OUTDOOR USE**



*Cooling done Right!*  
**OCEANAIRE**

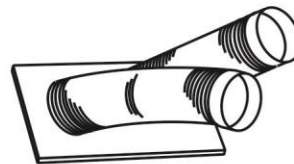
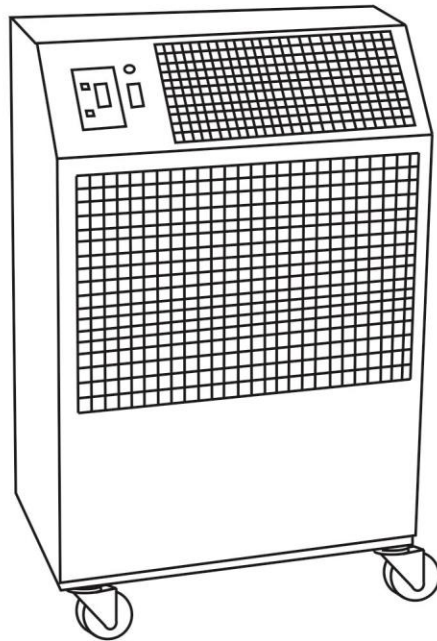
OCEANAIRE-INC.COM  
OA-TS-PWC3634-05012020

## PRODUCT FEATURES

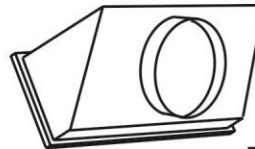
- OA 24 VOLT NON-PROGRAMMABLE ELECTRONIC THERMOSTAT
- OA SWIVEL BALL BEARING CASTERS WITH LOCKING FRONTS
- OA 2-SPEED FAN SWITCH
- OA INTERNAL CONDENSATE PUMP WITH OVERFLOW ALERT
- OA AUTOMATIC WATER REGULATING VALVE
- OA HIGH PRESSURE SAFETY SWITCH
- OA WASHABLE ELECTROSTATIC AIR FILTER
- OA THREE PHASE MONITOR



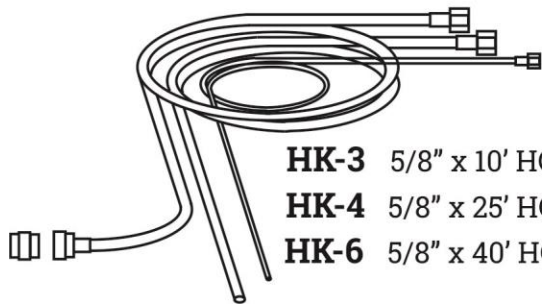
## Optional ACCESSORIES



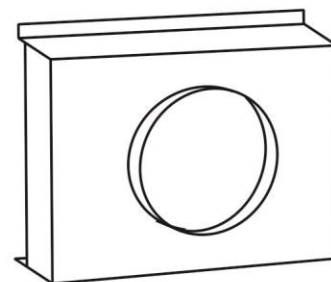
**2NK-3 (2 x 8")**  
**NOZZLE KIT**  
for Directional  
Cooling/Heating



**2DDA-16**  
**DISCHARGE**  
**DUCT ADAPTER**  
for Extended  
Single Duct Length



**HK-3** 5/8" x 10' HOSE KIT  
**HK-4** 5/8" x 25' HOSE KIT  
**HK-6** 5/8" x 40' HOSE KIT



**DEP-16**  
**EVAPORATOR RETURN**  
**AIR PLENUM**