

OCEANAIRE

MODEL: PWC2412
2 TON PORTABLE
WATER-COOLED AIR CONDITIONER

TECHNICAL SPECIFICATIONS

COOLING CAPACITY	23,950 BTUH
VOLTAGE	208-230V, 60Hz, 1PH
AMPS	9.9
TOTAL WATTS	2100
IN RUSH AMPS	55
PLUG TYPE	6-20P, LCDI
EER	11.4
COMPRESSOR	ROTARY
COMPRESSOR HP	2
COMPRESSOR LRA	48
EVAP CFM - HIGH	810
EVAP MOTOR HP	1/3
CONDENSER WATER FLOW	
AT 60°F WATER IN	1.55 GPM
AT 85°F WATER IN	6 GPM
WATER LINE CONNECTIONS	
WATER IN	3/8 MF
WATER OUT	3/8 MF
DRAIN	3/8 MF
CONDENSATE REMOVAL	PUMP AUTOMATIC 20' VERTICAL LIFT
REFRIGERANT CHARGE	16 oz R-410A
HEIGHT	39-3/4 in
WIDTH	24-1/4 in
DEPTH	13 in
NET WEIGHT	170 lb



WATER COOLED



SPECIFICATIONS SUBJECT TO CHANGE WITHOUT NOTICE

- ⓘ **Cooling Capacity** is total BTUH at 80°DB/67°WB return air with 85°EWT and 105°LWT
- ⓘ Dedicated Circuit and Time Delay fuses/circuit breakers are recommended
- ⓘ EER is determined at high fan speed
- ⓘ CFM with free discharge
- ⓘ Amps & Watts at 208 Volts

COOLING AMBIENT **OPERATING RANGE 65° TO 105°**
NOT APPROVED FOR OUTDOOR USE



Cooling done Right!
OCEANAIRE

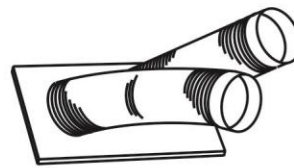
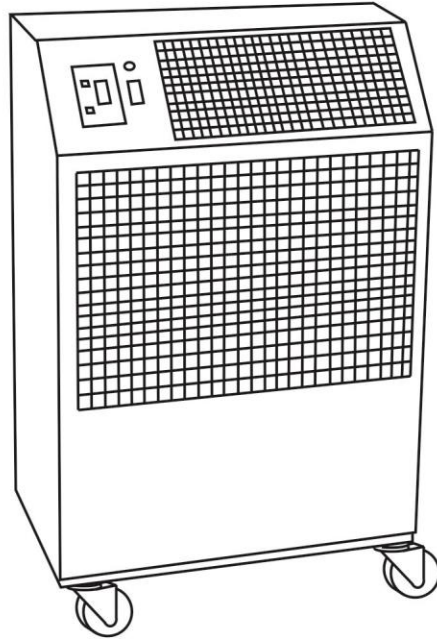
OCEANAIRE-INC.COM
OA-TS-PWC2412-05012020

PRODUCT FEATURES

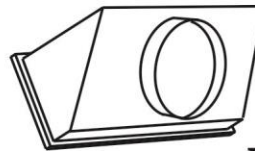
- OA 24 VOLT NON-PROGRAMMABLE ELECTRONIC CONTROLLER
- OA SWIVEL BALL BEARING CASTERS WITH LOCKING FRONTS
- OA 2-SPEED FAN SWITCH
- OA INTERNAL CONDENSATE PUMP WITH OVERFLOW ALERT LIGHT
- OA AUTOMATIC WATER REGULATING VALVE
- OA HIGH PRESSURE SAFETY SWITCH
- OA WASHABLE ELECTROSTATIC AIR FILTER



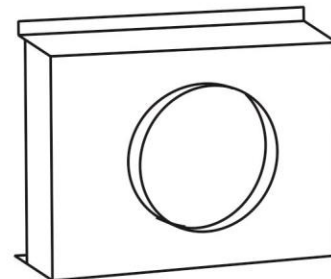
Optional ACCESSORIES



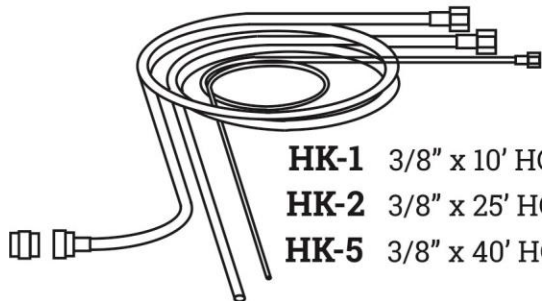
NK-2 (2 x 6")
NOZZLE KIT
for Directional
Cooling/Heating



DDA-10
DISCHARGE
DUCT ADAPTER
for Extended
Single Duct Length



2DEP-12
EVAPORATOR RETURN
AIR PLENUM



HK-1 3/8" x 10' HOSE KIT
HK-2 3/8" x 25' HOSE KIT
HK-5 3/8" x 40' HOSE KIT