

OCEANAIRE

20AC

TECHNICAL SPECIFICATIONS

DELUXE PORTABLE SPOT COOLER – AIR COOLED

| MODEL: 20AC | 1211 | 1811 | 2412 | 3612 | 3632 | 3634 | 6012 | 6032 | 6034 | | |
|---------------------------|---|--------|-----------|--------|-----------|---------|-------------------------------|---------|-----------|-----------|-------|
| COOLING CAPACITY | 11,800 | 16,800 | 24,020 | 36,050 | | | 60,100 | | | | |
| VOLTAGE (V/Phase) at 60Hz | 115/1 | | 208-230/1 | | 208-230/3 | | 460/3 | | 208-230/1 | 208-230/3 | 460/3 |
| AMPS | 10.4 | 14.1 | 14.9 | 19.6 | 17.2 | 8.7 | 32.0 | 20.4 | 14.8 | | |
| TOTAL WATTS | 1180 | 1670 | 2700 | 3620 | | | 6000 | | | | |
| IN-RUSH CURRENT (AMPS) | 60 | 75 | 68 | 113 | 93 | 60 | 178 | 162 | 87 | | |
| PLUG TYPE | 5-15P | 5-20P | 6-20P | 6-30P | L15-30P | L16-20P | 6-50P | L15-30P | L16-20P | | |
| EER | 10.0 | | 8.9 | | 10.0 | | | | | | |
| COMPRESSOR HP | 1 | 1 1/2 | 2 | 3 | | | 5 | | | | |
| COMPRESSOR RLA | 9.5 | 12.3 | 10.5 | 13.6 | 8.8 | 5.0 | 27.6 | 18.1 | 9.0 | | |
| COMPRESSOR LRA | 50 | 63 | 48 | 83 | 77 | 35 | 158 | 137 | 62 | | |
| EVAP CFM | 400 | 600 | 810 | 1200 | | | 1950 | | | | |
| EVAP MOTOR HP | 1/8 | | 1/3 | | | 1 | | | | | |
| CONDENSER CFM | 580 | 930 | 1010 | 1390 | | | 2200 | | | | |
| COND MOTOR HP | 1/8 | | 1/3 | | 1 | | | | | | |
| CONDENSATE | 5 Gallon Condensate Tank - STANDARD (Pump Optional) | | | | | | Pump - STANDARD (20 ft. Lift) | | | | |
| R-410A CHARGE (oz.) | 18 | 40 | 37 | 66 | | | 80 | | | | |
| (A) HEIGHT (in.) | 37-3/4 | 45-3/4 | | 50-1/4 | | | 51-3/4 | | | | |
| (B) WIDTH (in.) | 20 | 24 | | 27-1/2 | | | | | | | |
| (C) DEPTH (in.) | 25 | 30 | | 35 | | | 39-1/2 | | | | |
| NET WEIGHT (lb.) | 180 | 260 | | 365 | | 400 | 485 | | 520 | | |

20ACSPCS010119

SPECIFICATIONS SUBJECT TO CHANGE WITHOUT NOTICE

- OA Cooling Capacity is total BTUH at 80°DB/67°WB return air, 95°F Outdoor at high fan speed
- OA Dedicated Circuit and Time Delay fuses/circuit breakers are recommended
- OA EER is determined at high fan speed, with condenser discharge air ducted into another area
- OA CFM with free discharge
- OA Amps & Watts at 208 Volts

COOLING AMBIENT OPERATING RANGE 65° TO 105°

NOT APPROVED FOR OUTDOOR USE

PRODUCT FEATURES

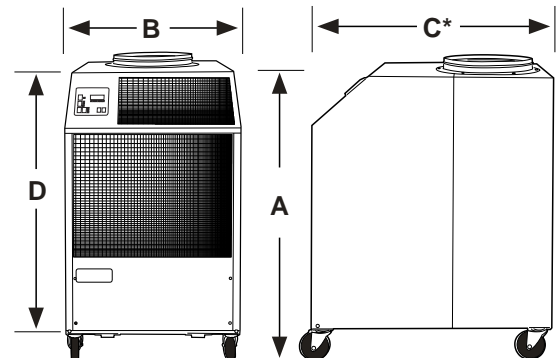
- OA SOLID STATE ELECTRONIC CONTROLLER
- OA MANUAL OR AUTO 6-SPEED FAN CONTROL
- OA LARGE LED DISPLAY
- OA REAR SWIVEL CASTERS
- OA FRONT SWIVEL CASTERS WITH BRAKES
- OA CONDENSATE ALERT
- OA LCDI POWER CORD (SOME MODELS)
- OA HIGH PRESSURE SAFETY SWITCH
- OA WASHABLE ELECTROSTATIC AIR FILTERS



WARRANTY

OCEANAIRE LIMITED WARRANTY

1 YEAR ON THE FULL PRODUCT PLUS, 4 ADDITIONAL YEARS FOR THE COMPRESSOR (RESTRICTIONS APPLY)



* Condenser Return Air Plenums

- 2DCP-1 and 2DCP-2 add 13 inches to "C"
- DCP-5 adds 17 inches to "C"

OCEANAIRE
OCEANAIRE-INC.COM
OA-TS-20AC-01012019

OCEANAIRE

20AC – DELUXE PORTABLE SPOT COOLER

ACCESSORIES

NOZZLE KIT

| | | |
|-------|--------------------|-------------|
| 2NK-1 | 2 X 4-INCH NOZZLES | size 12 |
| 2NK-2 | 2 X 6-INCH NOZZLES | size 18, 24 |
| 2NK-3 | 2 X 8-INCH NOZZLES | size 36, 60 |

CEILING PANEL KIT

| | | |
|---------|---------------------------|-----------------|
| CK-12 | 12-INCH | size 12, 18, 24 |
| CK-16 | 16-INCH | size 36, 60 |
| CK-12PL | CK-12 WITHOUT DUCT FLANGE | |

CONDENSATE PUMP KIT

| | | |
|--------|-----------------------|-------------|
| PC-1P | 115V PUMP KIT | size 12, 18 |
| PC-2P | 230V PUMP KIT | size 24, 36 |
| 2DPC-1 | 115V PUMP KIT, DELUXE | size 12, 18 |
| 2DPC-2 | 230V PUMP KIT, DELUXE | size 24, 36 |

(size 60 models come with pump installed)

EVAPORATOR RETURN AIR PLENUM KIT

| | | |
|---------|---------|-------------|
| DEP-10 | 10-INCH | size 12 |
| 2DEP-12 | 12-INCH | size 18, 24 |
| DEP-16 | 16-INCH | size 36, 60 |

DISCHARGE DUCT ADAPTER

| | | |
|---------|---------|-------------|
| 2DDA-6 | 6-INCH | size 12 |
| 2DDA-10 | 10-INCH | size 18, 24 |
| 2DDA-16 | 16-INCH | size 36, 60 |

CONDENSER RETURN AIR PLENUM

| | | |
|--------|---------|-------------|
| 2DCP-1 | 12-INCH | size 12 |
| 2DCP-2 | 12-INCH | size 18, 24 |
| DCP-5 | 16-INCH | size 36, 60 |

CEILING PANELS (PANEL WITH DUCT CONNECTOR)

| | | |
|--------|---------------------------------------|--|
| CKP-12 | 2 X 2 CEILING PANEL, FOR 12-INCH DUCT | |
| CKP-16 | 2 X 2 CEILING PANEL, FOR 16-INCH DUCT | |

DUCT FLANGE

| | | |
|-------|---------------------|-----------------|
| DF-12 | 12-INCH DUCT FLANGE | size 12, 18, 24 |
| DF-16 | 16-INCH DUCT FLANGE | size 36, 60 |

(Size 36 and 60 come with 16" duct flange)

