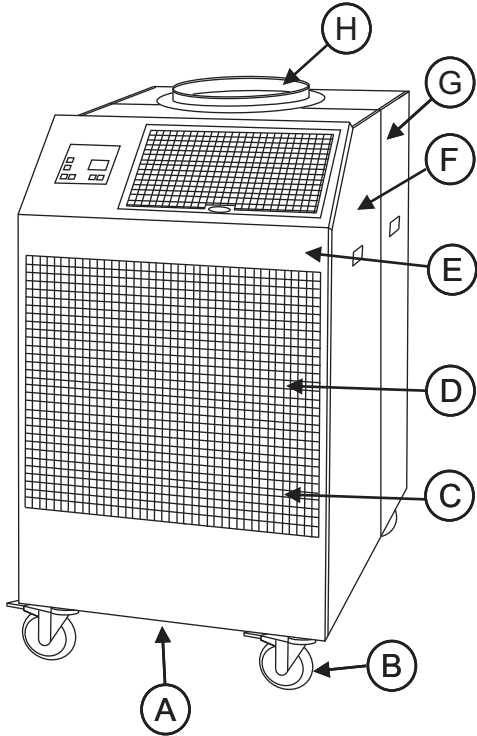
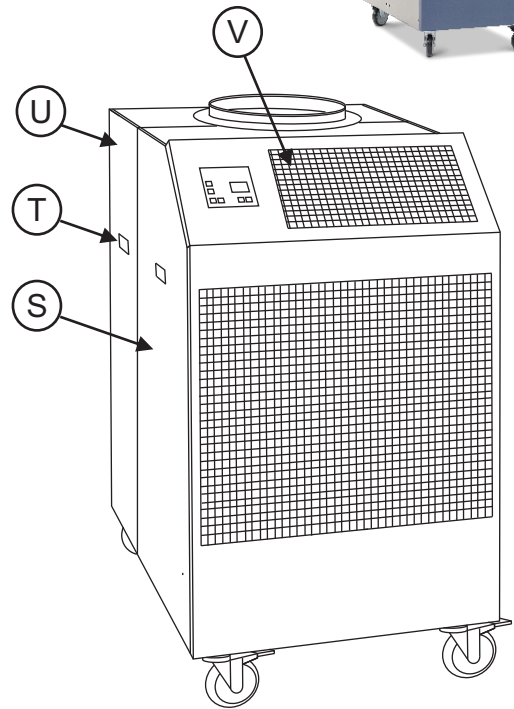


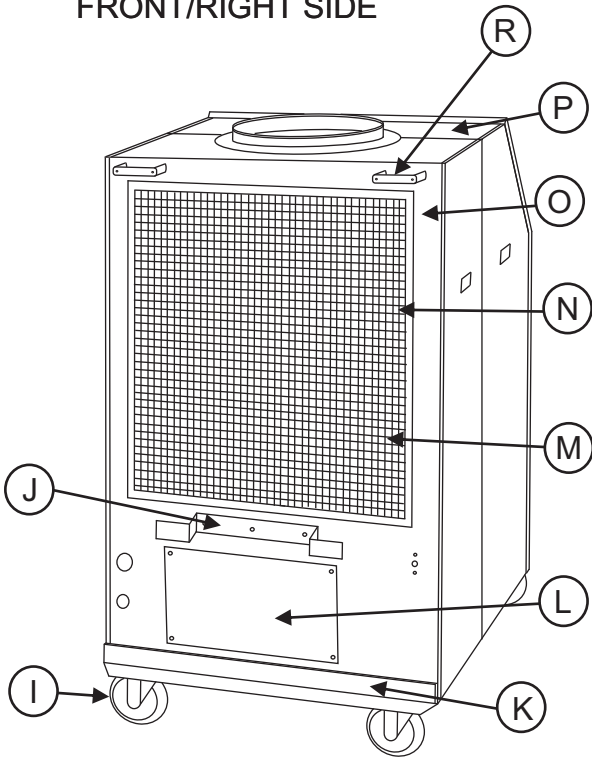
EXTERIOR PANEL DIAGRAM - 2OAC60, 2OACH60



FRONT/RIGHT SIDE



FRONT/LEFT SIDE



REAR/LEFT SIDE

* PART NUMBER	DESCRIPTION
A SA076-708	BASE PAN
B 011-012	5" SWIVEL CASTER WITH BRAKE
C 038-050	EVAPORATOR RETURN GRILLE
D 030-042	EVAPORATOR FILTER (BEHIND GRILLE)
E SA076-719	FRONT PANEL
F SA076-731R	RIGHT FRONT SIDE PANEL
G SA076-732	REAR SIDE PANEL
H DF-16	16-INCH DUCT FLANGE (SHIPS WITH UNIT)
I 011-011	5" SWIVEL CASTER
J SA076-735	CORD WRAP
K SA076-447	KICK PLATE
L SA076-734	CONTROL BOX COVER
M SA038-038	CONDENSER RETURN GRILLE ASSEMBLY (GRILL & FRAME)
N 030-043	CONDENSER FILTER (BEHIND GRILLE)
O SA076-716	TOP/BACK PANEL
P SA076-711	PARTITION
R 042-017	SOFT GRIP HANDLE
S SA076-731L	LEFT FRONT SIDE PANEL
T 042-015	PULL HANDLE
U SA076-732	REAR SIDE PANEL
V 038-036	DISCHARGE GRILLE