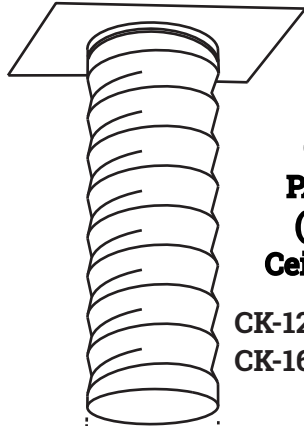
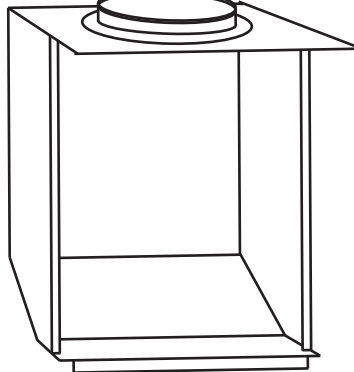


**CONDENSER  
RETURN**



**CEILING  
PANEL KIT  
(Duct and  
Ceiling Panel)**

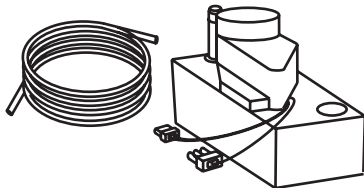
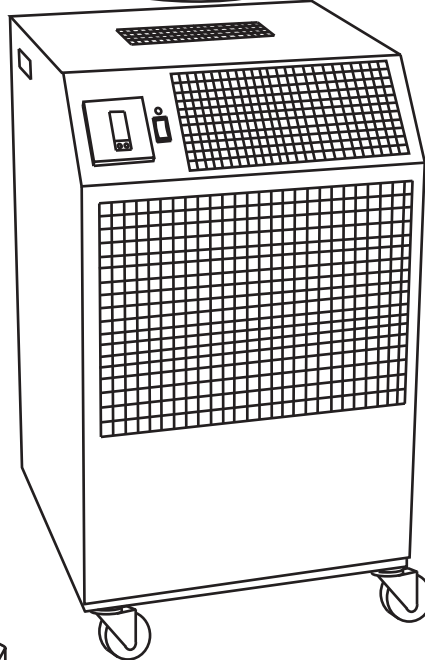
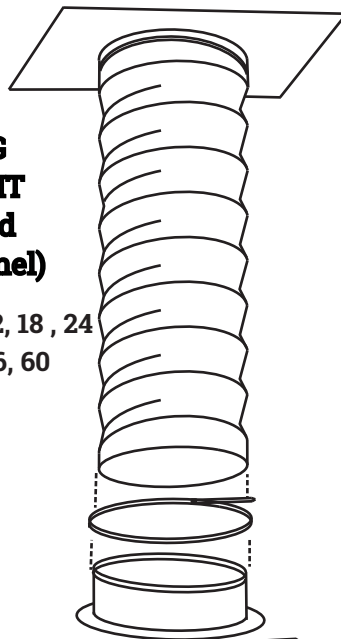
CK-12 size 12, 18, 24  
CK-16 size 36, 60



**CONDENSER RETURN  
AIR PLENUM**

2DCP-1 12" for size 12  
2DCP-2 12" for size 18, 24  
DCP-5 16" for size 36, 60

**CONDENSER  
DISCHARGE**

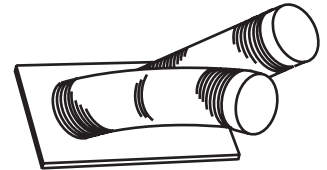


**CONDENSATE  
PUMP KIT**

**for Unattended Operation**

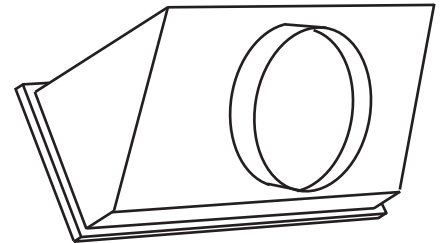
PC-1P 115V for size 12, 18  
PC-2P 230V for size 24, 36  
(Size 60 ships with factory installed pump)

**ACCESSORIES**



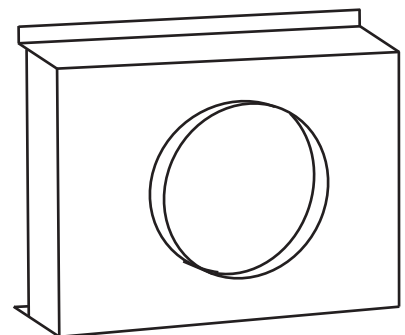
**NOZZLE KIT  
for Directional  
Cooling/Heating**

2NK-1 2 x 4" for size 12  
2NK-2 2 X 6" for size 18, 24  
2NK-3 2 X 8" for size 36, 60



**DISCHARGE DUCT ADAPTER  
for Extended  
Single Duct Length**

2DDA-6 6" for size 12  
2DDA-10 10" for size 18, 24  
2DDA-16 16" for size 36, 60



**EVAPORATOR RETURN  
AIR PLENUM**

DEP-10 10" for size 12  
2DEP-12 12" for size 18, 24  
DEP-16 16" for size 36, 60