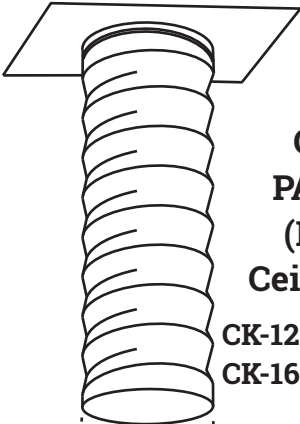


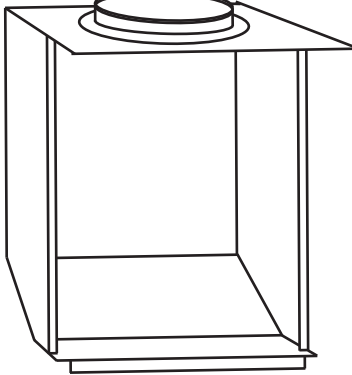
# Optional ACCESSORIES

CONDENSER  
RETURN



**CEILING  
PANEL KIT  
(Duct and  
Ceiling Panel)**

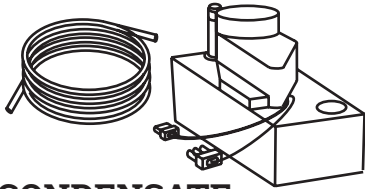
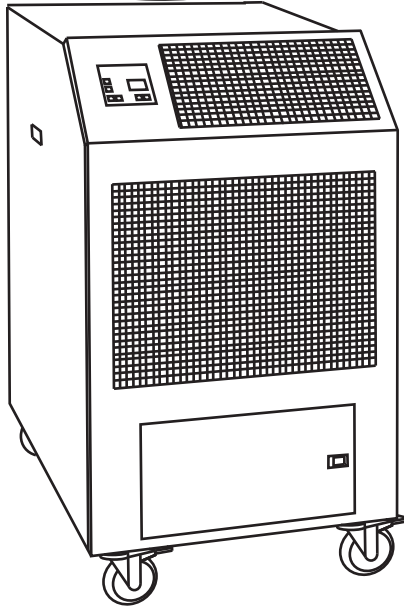
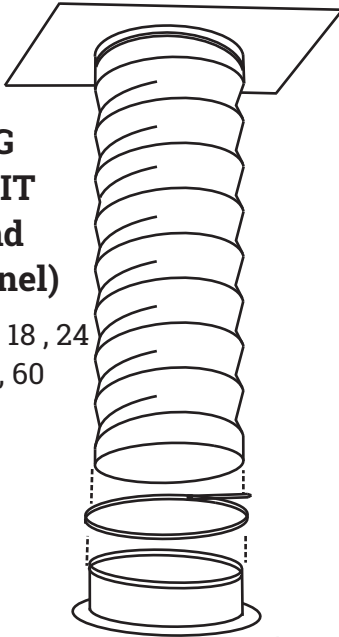
CK-12 size 12, 18, 24  
CK-16 size 36, 60



**CONDENSER RETURN  
AIR PLENUM**

2DCP-1 12" for size 12  
2DCP-2 12" for size 18, 24  
DCP-5 16" for size 36, 60

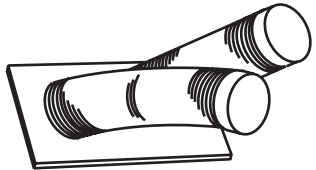
CONDENSER  
DISCHARGE



**CONDENSATE  
PUMP KIT**

for Unattended Operation

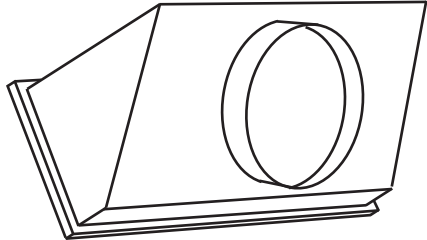
2DPC-1 115V for size 12, 18  
2DPC-2 230V for size 24, 36



**NOZZLE KIT**

for Directional  
Cooling/Heating

2NK-1 2 x 4" for size 12  
2NK-2 2 X 6" for size 18, 24  
2NK-3 2 X 8" for size 36, 60

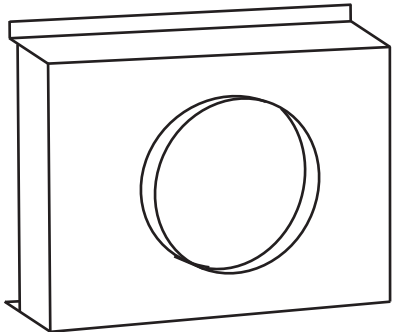


**DISCHARGE DUCT ADAPTER**

for Extended

Single Duct Length

2DDA-6 6" for size 12  
2DDA-10 10" for size 18, 24  
2DDA-16 16" for size 36, 60



**EVAPORATOR RETURN**

**AIR PLENUM**

DEP-10 10" for size 12  
2DEP-12 12" for size 18, 24  
DEP-16 16" for size 36, 60