

# OCEANAIRE

**MODEL: OWC2412**  
**2 TON DELUXE PORTABLE**  
**WATER COOLED AIR CONDITIONER**

## TECHNICAL SPECIFICATIONS

<b>COOLING CAPACITY</b>	<b>23,950 BTUH</b>
VOLTAGE	208-230V, 60Hz, 1PH
AMPS	9.9
TOTAL WATTS	2100
IN RUSH AMPS	55
PLUG TYPE	6-20P, LCDI
EER	11.4
COMPRESSOR	ROTARY
COMPRESSOR HP	2
COMPRESSOR LRA	48
EVAP CFM - HIGH	810
EVAP MOTOR HP	1/3
COND WATER FLOW (GPM)	
AT 60°F INLET	1.55
AT 85°F INLET	6
WATER VALVE CONNECTION (INLET)	3/8 MF
WATER RETURN CONNECTION	3/8 MF
CONDENSATE REMOVAL	PUMP AUTOMATIC
20' VERTICAL LIFT	3/8 MF
REFRIGERANT CHARGE	16 oz R-410A
HEIGHT	39-3/4 in
WIDTH	34-1/2 in
DEPTH	24-1/4 in
NET WEIGHT	170 lb



**WATER COOLED**



### SPECIFICATIONS SUBJECT TO CHANGE WITHOUT NOTICE

- OA **Cooling Capacity** is total BTUH at 80°DB/67°WB return air with 85°EWT and 105°LWT
- OA Dedicated Circuit and Time Delay fuses/circuit breakers are recommended
- OA EER is determined at high fan speed
- OA CFM with free discharge
- OA Amps & Watts at 208 Volts

**COOLING AMBIENT**      **OPERATING RANGE 65° TO 105°**  
**NOT APPROVED FOR OUTDOOR USE**



*Cooling done Right!*  
**OCEANAIRE**

OCEANAIRE-INC.COM  
OA-TS-OWC2412-03012020

# OCEANAIRE

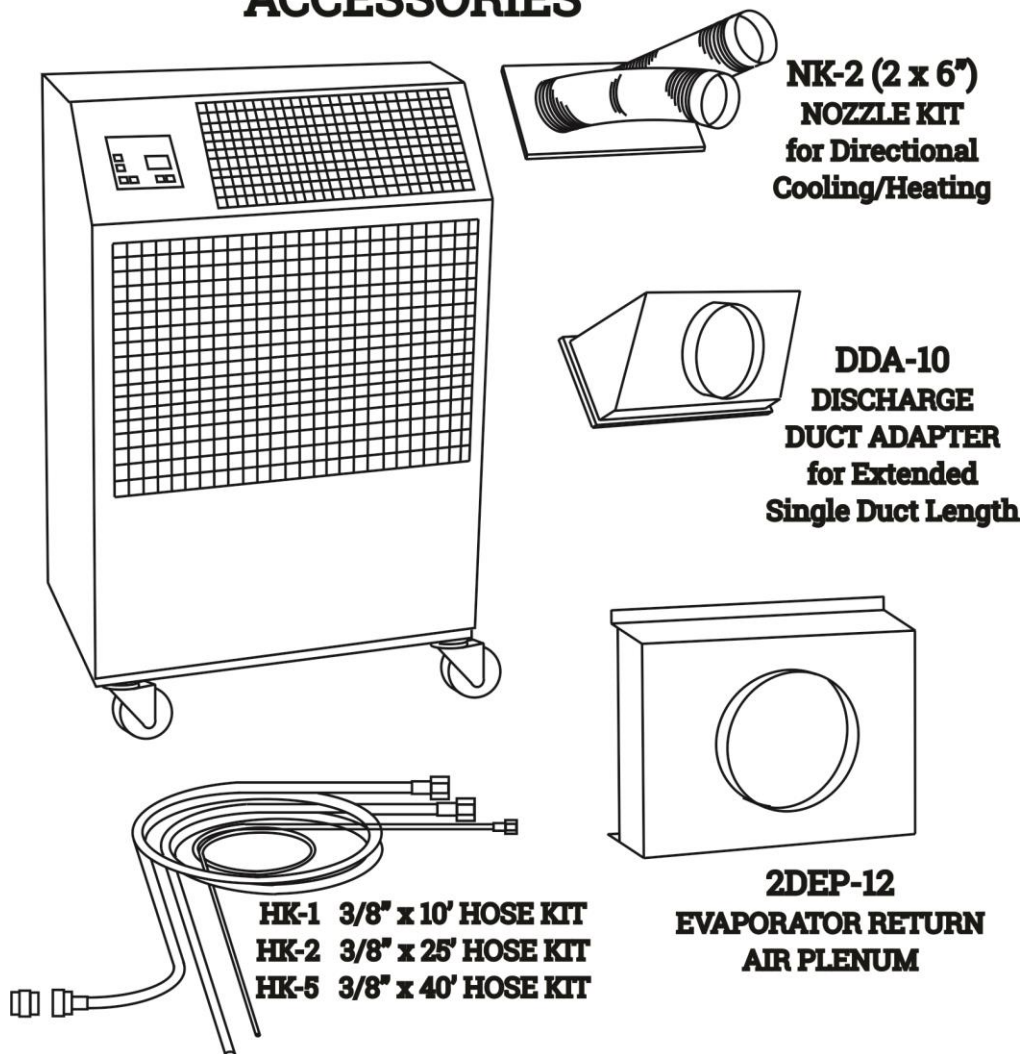
**MODEL: OWC2412**  
**2 TON DELUXE PORTABLE**  
**WATER COOLED AIR CONDITIONER**

## PRODUCT FEATURES

- OA SOLID STATE ELECTRONIC CONTROLLER
- OA MANUAL OR AUTO 6-SPEED FAN CONTROL
- OA LARGE LED DISPLAY
- OA SWIVEL BALL BEARING CASTERS WITH LOCKING FRONTS
- OA INTERNAL CONDENSATE PUMP WITH OVERFLOW ALERT
- OA WATER REGULATING VALVE
- OA HIGH PRESSURE SAFETY SWITCH
- OA WASHABLE ELECTROSTATIC AIR FILTER



## ACCESSORIES



*Cooling done Right!*  
**OCEANAIRE**

OCEANAIRE-INC.COM  
OA-TS-OWC2412-03012020