

OCEANAIRE

MODEL: 2OACH2412
2 TON PORTABLE HEAT PUMP

TECHNICAL SPECIFICATIONS

COOLING CAPACITY 24,020 BTUH

HEATING CAPACITY 22,000BTUH

VOLTAGE 208-230V, 60Hz, 1PH

AMPS 14.9

TOTAL WATTS 2700

IN RUSH AMPS 68

PLUG TYPE 6-20P, LCDI

EER 8.9

COMPRESSOR Rotary

COMPRESSOR HP 2

COMPRESSOR LRA 48

EVAP CFM - HIGH 810

EVAP MOTOR HP 1/3

COND CFM 1010

COND MOTOR HP 1/3

CONDENSATE TANK 5 GALLON
(Pump Optional)

REFRIGERANT CHARGE 37 oz R-410A

HEIGHT 45-3/4 in

WIDTH 24 in

DEPTH 30 in

NET WEIGHT 260 lb



HEATING & COOLING



SPECIFICATIONS SUBJECT TO CHANGE WITHOUT NOTICE

ⓘ **Cooling Capacity** is total BTUH at 80°DB/67°WB return air, 95°F Outdoor at high fan speed

ⓘ **Heating Capacity** is total BTUH at 70°DB/60°WB indoor, 47°DB/43°WB Outdoor

ⓘ Dedicated Circuit and Time Delay fuses/circuit breakers are recommended

ⓘ EER is determined at high fan speed, with condenser discharge air ducted into separate area

ⓘ CFM with free discharge

ⓘ Amps & Watts at 208 Volts

COOLING AMBIENT OPERATING RANGE 65° TO 105°

HEATING AMBIENT OPERATING RANGE 40° TO 85°

NOT APPROVED FOR OUTDOOR USE



Cooling and Heating done Right!

OCEANAIRE

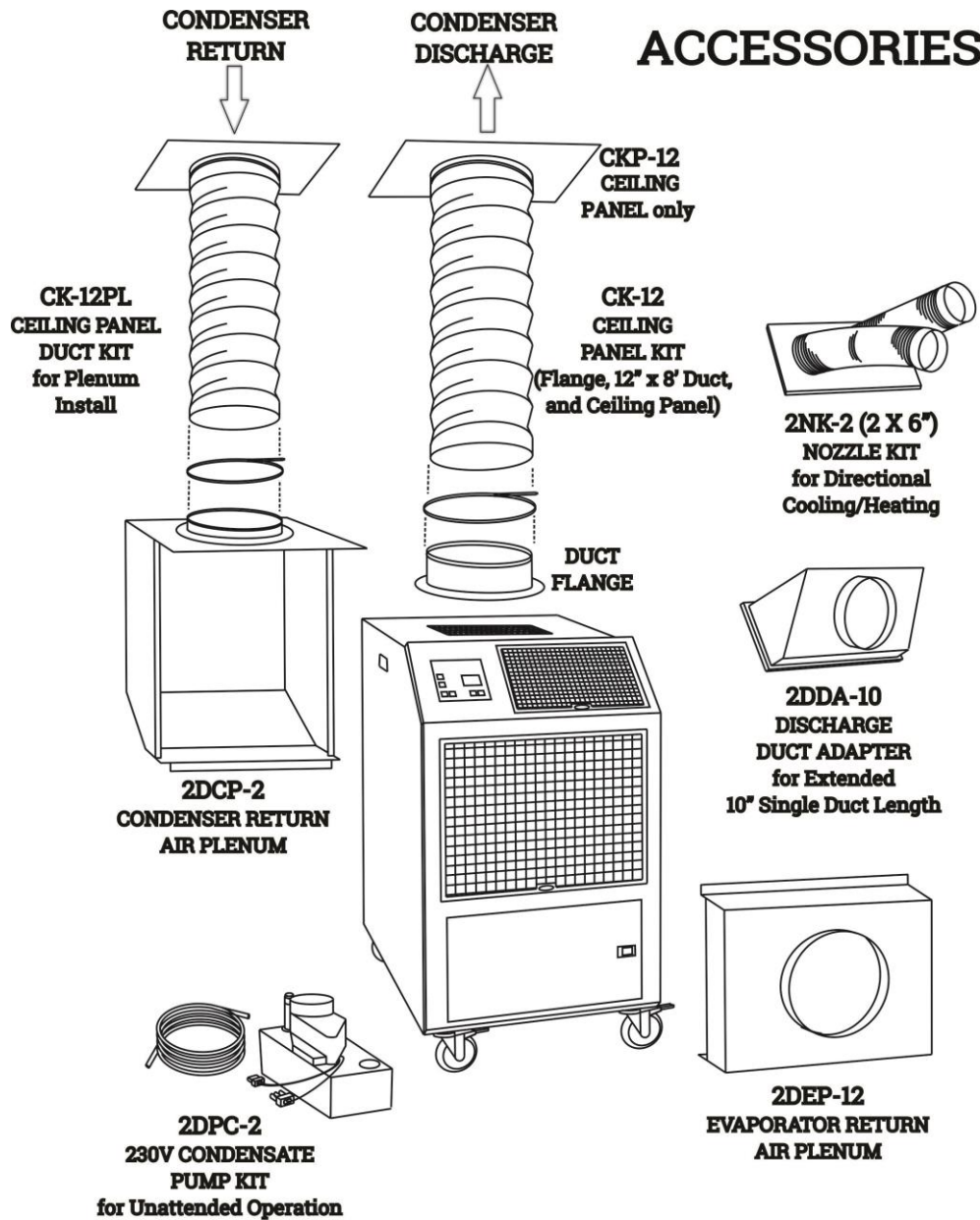
OCEANAIRE-INC.COM
OA-TS-2OACH2412-03012020

OCEANAIRE

MODEL: 2OACH2412
2 TON PORTABLE HEAT PUMP

PRODUCT FEATURES

- OA SOLID STATE ELECTRONIC CONTROLLER
- OA AUTOMATIC MODE CHANGEOVER
- OA MANUAL OR AUTO 6-SPEED FAN CONTROL
- OA LARGE LED DISPLAY
- OA SWIVEL BALL BEARING CASTERS WITH LOCKING FRONTS
- OA CONDENSATE OVERFLOW ALERT
- OA HIGH PRESSURE SAFETY SWITCH
- OA WASHABLE ELECTROSTATIC AIR FILTERS



OCEANAIRE

OCEANAIRE-INC.COM
OA-TS-2OACH2412-03012020