

# OCEANAIRE

**MODEL: 2OACH1211**  
**1 TON PORTABLE HEAT PUMP**

## TECHNICAL SPECIFICATIONS

<b>COOLING CAPACITY</b>	<b>11,800 BTUH</b>
<b>HEATING CAPACITY</b>	<b>11,000 BTUH</b>
VOLTAGE	115V, 60Hz, 1PH
AMPS	10.4
TOTAL WATTS	1180
IN RUSH AMPS	60
PLUG TYPE	5-15P, LCDI
EER	10.0
COMPRESSOR	ROTARY
COMPRESSOR HP	1
COMPRESSOR LRA	50
EVAP CFM - HIGH	400
EVAP MOTOR HP	1/8
COND CFM	580
COND MOTOR HP	1/8
CONDENSATE TANK (Pump Optional)	5 GALLON
REFRIGERANT CHARGE	18 oz R-410A
HEIGHT	37-3/4 in
WIDTH	20 in
DEPTH	25 in
NET WEIGHT	180 lb



**HEATING & COOLING**



### SPECIFICATIONS SUBJECT TO CHANGE WITHOUT NOTICE

- OA **Cooling Capacity** is total BTUH at 80°DB/67°WB return air, 95°F Outdoor at high fan speed
- OA **Heating Capacity** is total BTUH at 70°DB/60°WB indoor, 47°DB/43°WB Outdoor
- OA Dedicated Circuit and Time Delay fuses/circuit breakers are recommended
- OA EER is determined at high fan speed, with condenser discharge air ducted into separate area
- OA CFM with free discharge
- OA Amps & Watts at 115 Volts

**COOLING AMBIENT OPERATING RANGE 65° TO 105°**

**HEATING AMBIENT OPERATING RANGE 40° TO 85°**

**NOT APPROVED FOR OUTDOOR USE**



*Cooling and Heating done Right!*

# OCEANAIRE

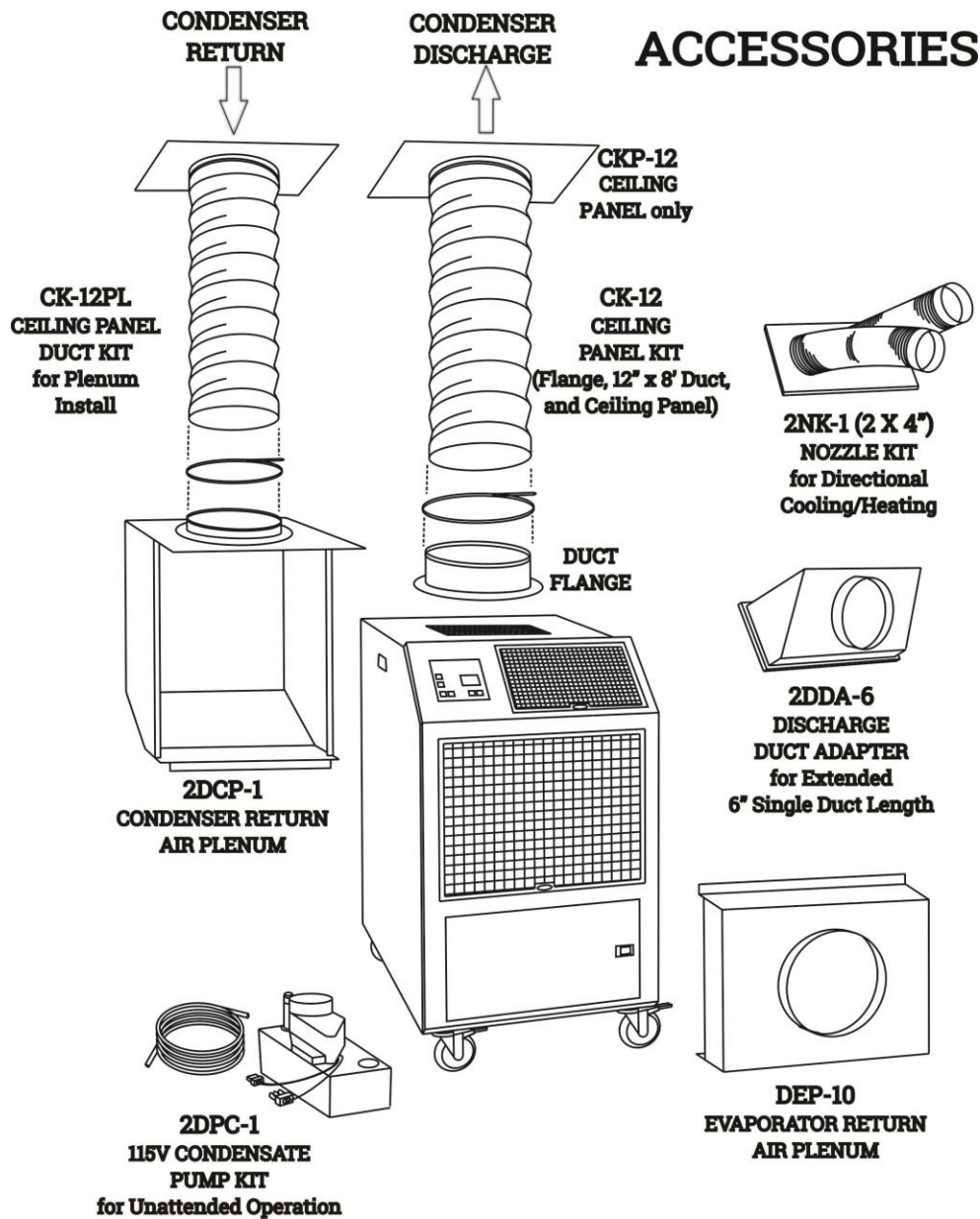
OCEANAIRE-INC.COM  
OA-TS-2OACH1211-03012020

# OCEANAIRE

**MODEL: 2OACH1211**  
**1 TON PORTABLE HEAT PUMP**

## PRODUCT FEATURES

- OA SOLID STATE ELECTRONIC CONTROLLER
- OA AUTOMATIC MODE CHANGEOVER
- OA MANUAL OR AUTO 6-SPEED FAN CONTROL
- OA LARGE LED DISPLAY
- OA SWIVEL BALL BEARING CASTERS WITH LOCKING FRONTS
- OA CONDENSATE OVERFLOW ALERT
- OA HIGH PRESSURE SAFETY SWITCH
- OA WASHABLE ELECTROSTATIC AIR FILTERS



# OCEANAIRE

OCEANAIRE-INC.COM  
OA-TS-2OACH1211-03012020