

OCEANAIRE

MODEL: 2OAC2412
2 TON DELUXE PORTABLE
AIR CONDITIONER

TECHNICAL SPECIFICATIONS

COOLING CAPACITY 24,020 BTUH

VOLTAGE	208-230V, 60Hz, 1PH
AMPS	14.9
TOTAL WATTS	2700
IN RUSH AMPS	68
PLUG TYPE	6-20P, LCDI
EER	8.9
COMPRESSOR	Rotary
COMPRESSOR HP	2
COMPRESSOR LRA	48
EVAP CFM - HIGH	810
EVAP MOTOR HP	1/3
COND CFM	1010
COND MOTOR HP	1/3
CONDENSATE TANK (Pump Optional)	5 GALLON
REFRIGERANT CHARGE	37 oz R-410A
HEIGHT	45-3/4 in
WIDTH	24 in
DEPTH	30 in
NET WEIGHT	260 lb



AIR COOLED



SPECIFICATIONS SUBJECT TO CHANGE WITHOUT NOTICE

- ⓘ **Cooling Capacity** is total BTUH at 80°DB/67°WB return air, 95°F Outdoor at high fan speed
- ⓘ Dedicated Circuit and Time Delay fuses/circuit breakers are recommended
- ⓘ EER is determined at high fan speed, with condenser discharge air ducted into separate area
- ⓘ CFM with free discharge
- ⓘ Amps & Watts at 208 Volts

COOLING AMBIENT OPERATING RANGE 65° TO 105°

NOT APPROVED FOR OUTDOOR USE



Cooling done Right!

OCEANAIRE

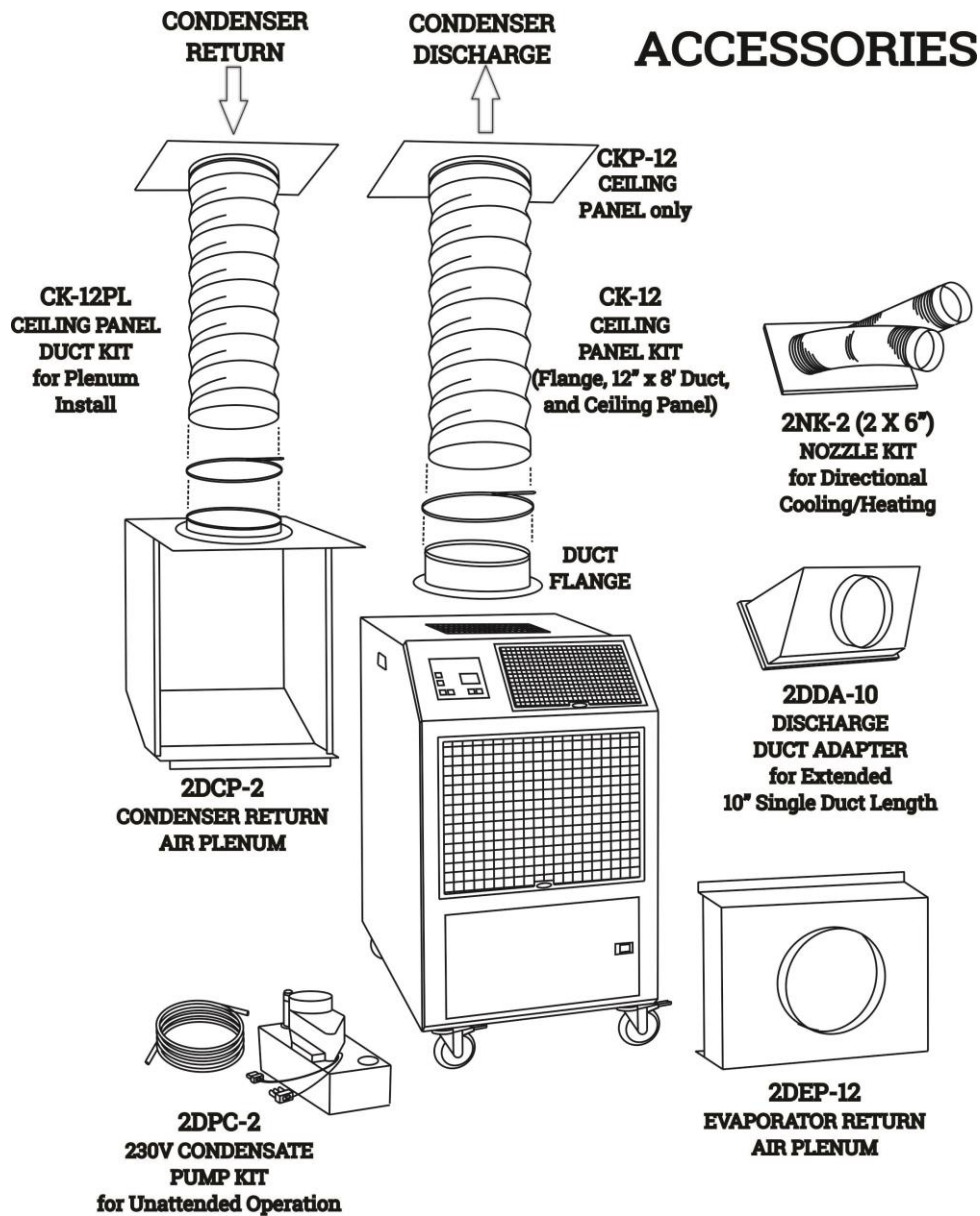
OCEANAIRE-INC.COM
OA-TS-2OAC2412-03012020

OCEANAIRE

MODEL: 20AC2412
2 TON DELUXE PORTABLE
AIR CONDITIONER

PRODUCT FEATURES

- OA SOLID STATE ELECTRONIC CONTROLLER
- OA MANUAL OR AUTO 6-SPEED FAN CONTROL
- OA LARGE LED DISPLAY
- OA SWIVEL BALL BEARING CASTERS WITH LOCKING FRONTS
- OA CONDENSATE OVERFLOW ALERT
- OA HIGH PRESSURE SAFETY SWITCH
- OA WASHABLE ELECTROSTATIC AIR FILTERS



Cooling done Right!
OCEANAIRE

OCEANAIRE-INC.COM
OA-TS-20AC2412-03012020