

OCEANAIRE

MODEL: 20AC1211
1 TON DELUXE PORTABLE
AIR CONDITIONER

TECHNICAL SPECIFICATIONS

COOLING CAPACITY 11,800 BTUH

VOLTAGE	115V, 60Hz, 1PH
AMPS	10.4
TOTAL WATTS	1180
IN RUSH AMPS	60
PLUG TYPE	5-15P, LCDI
EER	10.0
COMPRESSOR	ROTARY
COMPRESSOR HP	1
COMPRESSOR LRA	50
EVAP CFM - HIGH	400
EVAP MOTOR HP	1/8
COND CFM	580
COND MOTOR HP	1/8
CONDENSATE TANK (Pump Optional)	5 GALLON
REFRIGERANT CHARGE	18 oz R-410A
HEIGHT	37-3/4 in
WIDTH	20 in
DEPTH	25 in
NET WEIGHT	180 lb



AIR COOLED



SPECIFICATIONS SUBJECT TO CHANGE WITHOUT NOTICE

- ⓘ **Cooling Capacity** is total BTUH at 80°DB/67°WB return air, 95°F Outdoor at high fan speed
- ⓘ Dedicated Circuit and Time Delay fuses/circuit breakers are recommended
- ⓘ EER is determined at high fan speed, with condenser discharge air ducted into separate area
- ⓘ CFM with free discharge
- ⓘ Amps & Watts at 115 Volts

COOLING AMBIENT OPERATING RANGE 65° TO 105°

NOT APPROVED FOR OUTDOOR USE



Cooling done Right!

OCEANAIRE

OCEANAIRE-INC.COM
OA-TS-20AC1211-03012020

OCEANAIRE

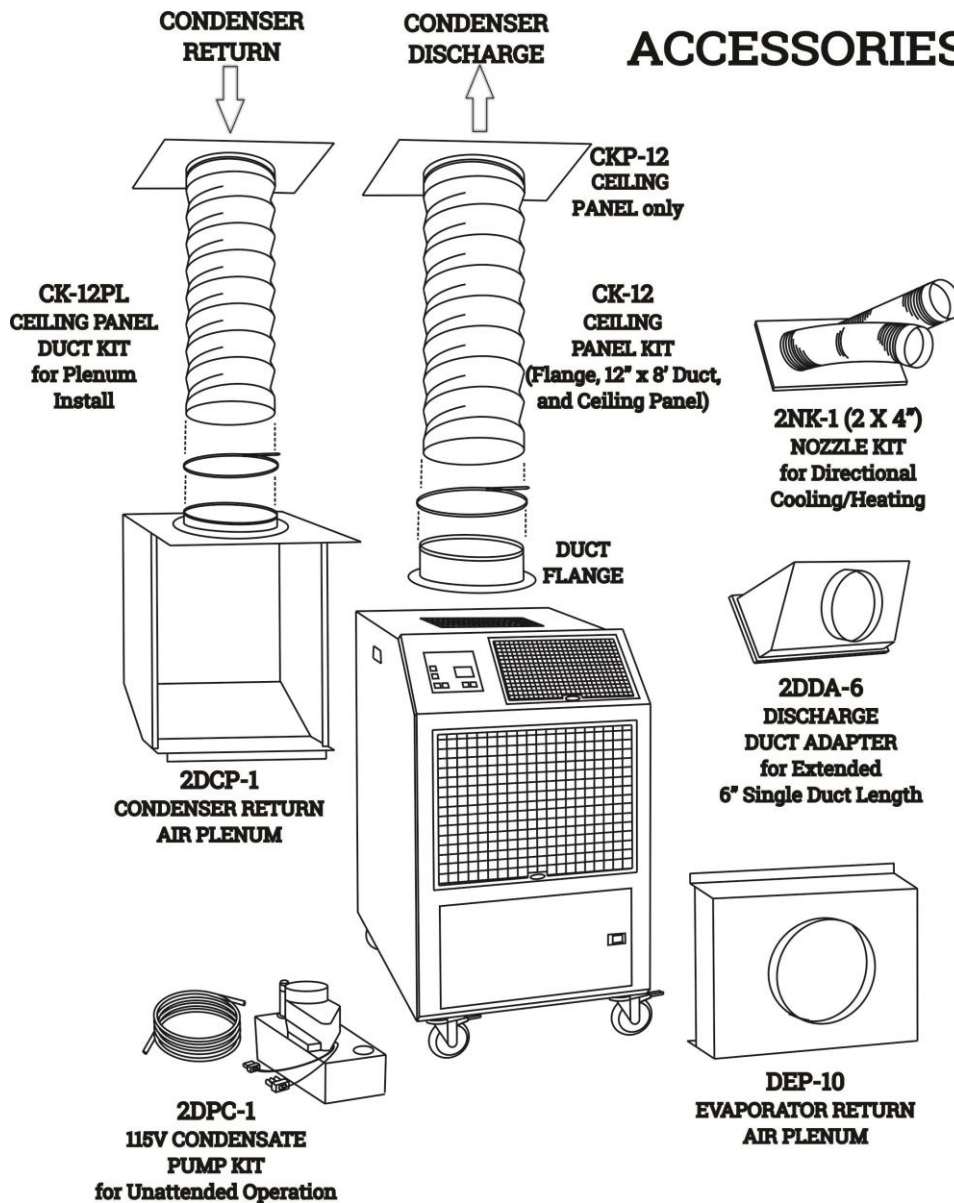
MODEL: 2OAC1211
1 TON DELUXE PORTABLE
AIR CONDITIONER

PRODUCT FEATURES

- OA SOLID STATE ELECTRONIC CONTROLLER
- OA MANUAL OR AUTO 6-SPEED FAN CONTROL
- OA LARGE LED DISPLAY
- OA SWIVEL BALL BEARING CASTERS WITH LOCKING FRONTS
- OA CONDENSATE OVERFLOW ALERT
- OA HIGH PRESSURE SAFETY SWITCH
- OA WASHABLE ELECTROSTATIC AIR FILTERS



ACCESSORIES



Cooling done Right!
OCEANAIRE

OCEANAIRE-INC.COM
OA-TS-2OAC1211-03012020