

OCEANAIRE

2OACH

TECHNICAL SPECIFICATIONS

PORTABLE HEAT PUMP

MODEL: 2OACH	1211	1811	2412	3612	3632	3634	6012	6032	6034
COOLING CAPACITY	11,800	16,800	24,020	36,050			60,100		
HEATING CAPACITY	11,000	15,600	22,000	32,500			53,500		
VOLTAGE (V/Phase) at 60Hz	115/1		208-230/1		208-230/3	460/3	208-230/1	208-230/3	460/3
AMPS	10.4	14.1	14.9	19.6	17.2	8.7	32.0	20.4	14.8
TOTAL WATTS	1180	1670	2700	3620			6000		
IN-RUSH CURRENT (AMPS)	60	75	68	113	93	60	178	162	87
PLUG TYPE	5-15P	5-20P	6-20P	6-30P	L15-30P	L16-20P	6-50P	L15-30P	L16-20P
EER	10.0		8.9		10.0				
COMPRESSOR HP	1	1 1/2	2	3			5		
COMPRESSOR RLA	9.5	12.3	10.5	13.6	8.8	5.0	27.6	18.1	9.0
COMPRESSOR LRA	50	63	48	83	77	35	158	137	62
EVAP CFM	400	600	810	1200			1950		
EVAP MOTOR HP	1/8		1/3			1			
CONDENSER CFM	580	930	1010	1390			2200		
COND MOTOR HP	1/8		1/3		1				
CONDENSATE	5 Gallon Condensate Tank - STANDARD (Pump Optional)						Pump - STANDARD (20 ft. Lift)		
R-410A CHARGE (oz.)	18	40	37	66			80		
(A) HEIGHT (in.)	37-3/4	45-3/4		50-1/4			51-3/4		
(B) WIDTH (in.)	20	24		27-1/2					
(C) DEPTH (in.)	25	30		35			39-1/2		
NET WEIGHT (lb.)	180	260		365	400		485	520	

2OACHSPEC010119



SPECIFICATIONS SUBJECT TO CHANGE WITHOUT NOTICE

- OA **Cooling Capacity** is total BTUH at 80°DB/67°WB return air, 95°F Outdoor at high fan speed
- OA **Heating Capacity** is total BTUH at 70°DB/60°WB indoor, 47°DB/43°WB Outdoor
- OA Dedicated Circuit and Time Delay fuses/circuit breakers are recommended
- OA EER is determined at high fan speed, with condenser discharge air ducted into another area
- OA CFM with free discharge
- OA Amps & Watts at 208 Volts

COOLING AMBIENT OPERATING RANGE 65° TO 105°
HEATING AMBIENT OPERATING RANGE 40° TO 85°

NOT APPROVED FOR OUTDOOR USE

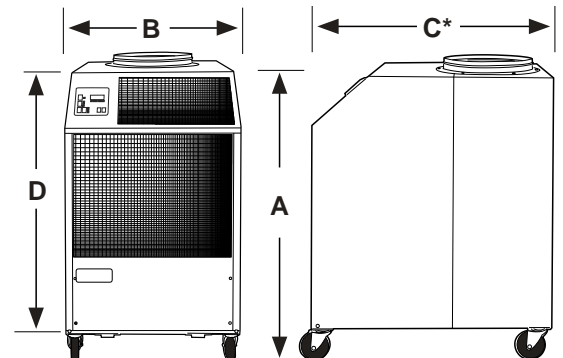
WARRANTY

OCEANAIRE LIMITED WARRANTY

1 YEAR ON THE FULL PRODUCT
 PLUS, 4 ADDITIONAL YEARS FOR THE
 COMPRESSOR
 (RESTRICTIONS APPLY)

PRODUCT FEATURES

- OA SOLID STATE ELECTRONIC CONTROLLER
- OA AUTOMATIC MODE CHANGEOVER
- OA MANUAL OR AUTO 6-SPEED FAN CONTROL
- OA LARGE LED DISPLAY
- OA REAR SWIVEL CASTERS
- OA FRONT SWIVEL CASTERS WITH BRAKES
- OA CONDENSATE ALERT
- OA LCDI POWER CORD (SOME MODELS)
- OA HIGH PRESSURE SAFETY SWITCH
- OA WASHABLE ELECTROSTATIC AIR FILTERS



- * Condenser Return Air Plenums
- 2DCP-1 and 2DCP-2 add 13 inches to "C"
- DCP-5 adds 17 inches to "C"

OCEANAIRE

2OACH – PORTABLE HEAT PUMP

NOZZLE KIT

2NK-1	2 X 4-INCH NOZZLES	size 12
2NK-2	2 X 6-INCH NOZZLES	size 18, 24
2NK-3	2 X 8-INCH NOZZLES	size 36, 60

CEILING PANEL KIT

CK-12	12-INCH	size 12, 18, 24
CK-16	16-INCH	size 36, 60
CK-12PL	CK-12 WITHOUT DUCT FLANGE	

CONDENSATE PUMP KIT

PC-1P	115V PUMP KIT	size 12, 18
PC-2P	230V PUMP KIT	size 24, 36
2DPC-1	115V PUMP KIT, DELUXE	size 12, 18
2DPC-2	230V PUMP KIT, DELUXE	size 24, 36

(size 60 models come with pump installed)

EVAPORATOR RETURN AIR PLENUM KIT

DEP-10	10-INCH	size 12
2DEP-12	12-INCH	size 18, 24
DEP-16	16-INCH	size 36, 60

DISCHARGE DUCT ADAPTER

2DDA-6	6-INCH	size 12
2DDA-10	10-INCH	size 18, 24
2DDA-16	16-INCH	size 36, 60

CONDENSER RETURN AIR PLENUM

2DCP-1	12-INCH	size 12
2DCP-2	12-INCH	size 18, 24
DCP-5	16-INCH	size 36, 60

CEILING PANELS (PANEL WITH DUCT CONNECTOR)

CKP-12	2 X 2 CEILING PANEL, FOR 12-INCH DUCT
CKP-16	2 X 2 CEILING PANEL, FOR 16-INCH DUCT

DUCT FLANGE

DF-12	12-INCH DUCT FLANGE	size 12, 18, 24
DF-16	16-INCH DUCT FLANGE	size 36, 60

(Size 36 and 60 come with 16" duct flange)

