

Portable Air Conditioner - Water Cooled

MODEL: PWC	1211	1811	2412	3612	3632	3634	6012	6032	6034	
Cooling Capacity ²	12,000	18,000	23,950	36,100	36,100	36,100	60,100	60,100	60,100	
Voltage (Volts/Phase) at 60Hz ¹	115/1		208-230/1		208-230/3		208-230/1		208-230/3	
Unit Amps ⁶	8.1	11.3	9.9	12.0	9.3	4.7	23.7	16.5	6.3	
Unit Watts ⁶	930	1300	2100	2700	2700	2700	5000	5000	5000	
In Rush Current (Amps)	56	69	55	100	80	48	165	149	75	
Plug Type	5-15P	5-15P	6-20P	6-20P	L15-20P	L16-20P	6-30P	L15-30P	L16-20P	
EER ⁴	12.9	13.8	11.4	13.4	13.4	13.4	12.0	12.0	12.0	
Compressor HP	1	1 1/2	2	3	3	3	5	5	5	
Compressor RLA	9.5	12.3	10.5	13.6	8.8	5.0	27.6	18.1	9.0	
Compressor LRA	50	63	48	83	77	35	158	137	62	
Evap CFM ³	400	600	810	1200	1200	1200	1950	1950	1950	
Evap Motor HP	1/8	1/8	1/3	1/3	1/3	1/3	1	1	1	
Evap Motor Watts	130	210	350	375	375	420	670	670	670	
Cond Water Flow (GPM) at 60°F inlet	0.75	1.1	1.55	2.2	2.2	2.2	3.8	3.8	3.8	
at 85°F inlet	3	4.5	6	9	9	9	15	15	15	
Cond Coil Pressure Drop-PSI	0.4	0.4	0.4	0.4	0.4	0.4	0.4	0.4	0.4	
Water Valve Pressure Drop PSI	2.0									
Water Valve Connection	3/8 MF			5/8 MF						
Drain (Return) Connection	3/8 MF			5/8 MF						
Condensate Pump (ALL UNITS)	20 Ft Lift - 3/8 MF Connection On Unit - DRAIN									
Sound Level ⁵	52	57	60	62	62	62	69	69	69	
R-410A Charge Oz.	14	18	16	24	24	24	52	52	52	
(A) Height with Casters (in.)	31 1/2		37 1/2		50-1/4			51		
(D) Height Without Casters (in.)	28 1/2		34 1/2		45			45-1/4		
(B) Width (in.)	20 1/8		24 1/4		28 1/4			27		
(C) Depth (in.)	13 1/8		13		18			29		
Net Weight (lb.)	125	155	170	275		305	375		410	
Shipping Weight (lb.)	145	175	190	305		335	430		465	
Shipping Volume (cu.ft.)	9		12		23			35		

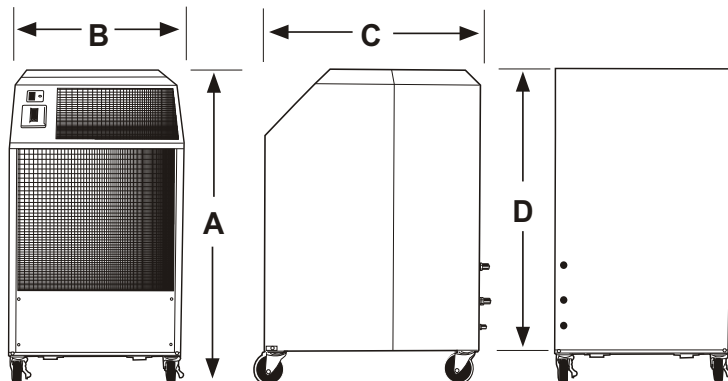


SPECIFICATIONS SUBJECT TO CHANGE WITHOUT NOTICE

NOTES

1. Dedicated Circuit and Time Delay fuse or circuit breaker are recommended
2. Cooling Capacity is total BTUH at 80°DB/67° WB return air, with 85° EWT and 105° LWT
3. CFM with free discharge
4. Cooling EER is determined at high fan speed
5. Sound Pressure, dB at 5 feet, commercial operation
6. Amps & Watts at 208 Volts (208-230 V Models)

COOLING AMBIENT* **OPERATING RANGE 65° TO 105°**
 * May COOL down to 55° if equipped with hot gas bypass (factory installed)



NOT APPROVED FOR OUTDOOR USE

WARRANTY

ALL OCEANAIRE PRODUCTS ARE COVERED BY THE OCEANAIRE LIMITED WARRANTY

1 YEAR ON THE FULL PRODUCT
 PLUS, 4 ADDITIONAL YEARS FOR THE COMPRESSOR
 (RESTRICTIONS APPLY)



OCEANAIRE

ACCESSORIES

NOZZLE KIT		MODELS
NK-1	(2 X 4-INCH)	PWC12
NK-2	(2 X 6-INCH)	PWC18, 24
2NK-3	(2 X 8-INCH)	PWC36, PWC60

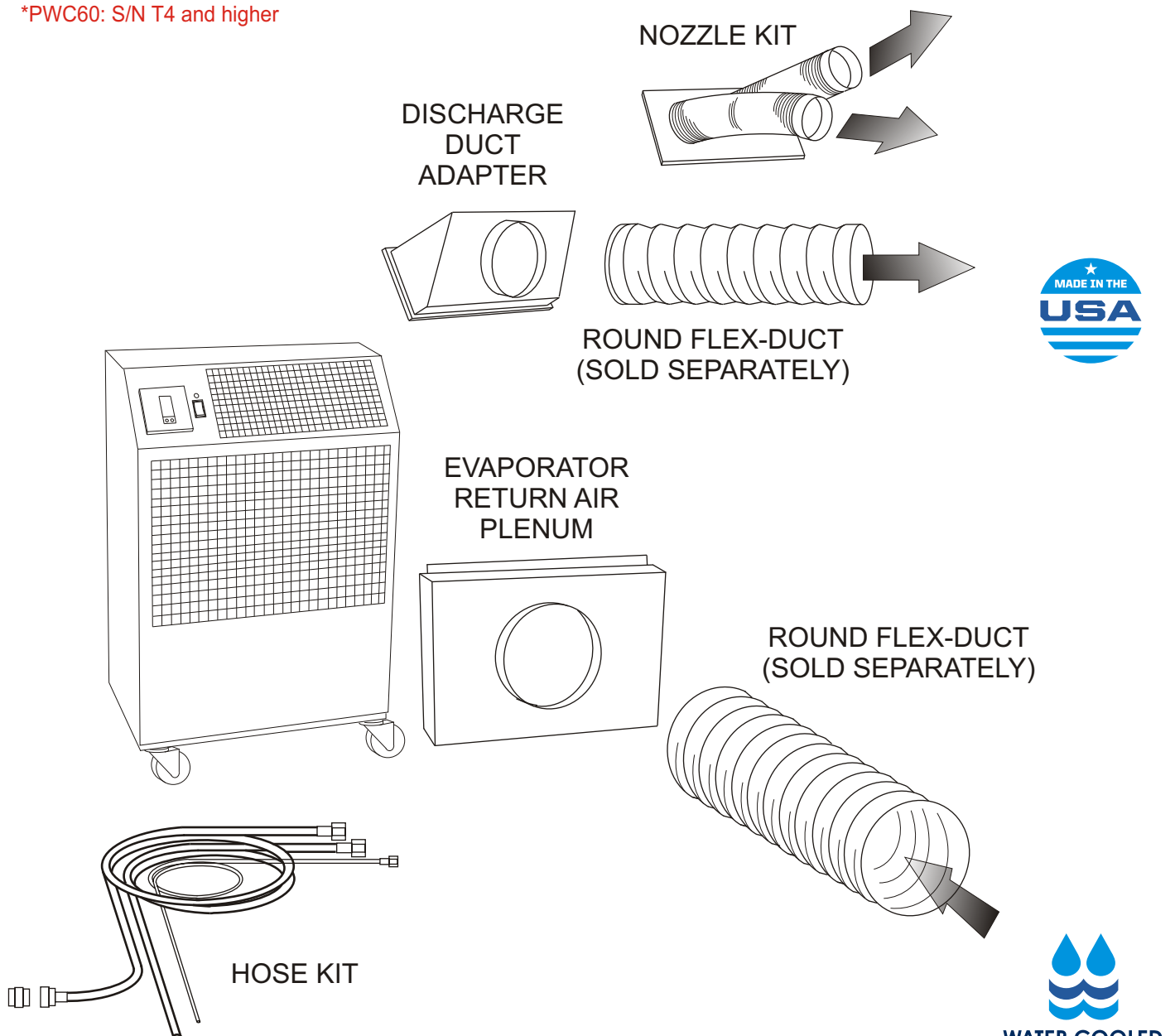
HOSE KIT		
HK-1	(10 FT)	PWC12, 18, 24
HK-2	(25 FT)	PWC12, 18, 24
HK-5	(40 FT)	PWC12, 18, 24

EVAPORATOR RETURN AIR PLENUM		
DEP-10	(10-INCH)	PWC12
2DEP-12	(12-INCH)	PWC18, 24
DEP-16	(16-INCH)	PWC36, 60

HK-3	(10 FT)	PWC36, 60
HK-4	(25 FT)	PWC36, 60
HK-6	(40 FT)	PWC36, 60

DISCHARGE DUCT ADAPTER		
DDA-6	(6-INCH)	PWC12
DDA-10	(10-INCH)	PWC18, 24
2DDA-16	(16-INCH)	PWC36, PWC60

*PWC60: S/N T4 and higher



OCEANAIRE 6228 Oakton Street Morton Grove, IL 60053

P 847.583.0311 F 847.583.0312 E sales@oceanaire-inc.com W www.oceanaire-inc.com

WATER COOLED

OA
OA-TS-PWC-01262016