

Deluxe Portable Air Conditioner - Water Cooled

MODEL: OWC	1211	1811	2412	3612	3632	3634	6012	6032	6034
Cooling Capacity ²	12,000	18,000	23,950	36,100	36,100	36,100	60,100	60,100	60,100
Voltage (Volts/Phase) at 60Hz ¹	115/1		208-230/1		208-230/3		460/3	208-230/1	208-230/3
Unit Amps ⁶	8.1	11.3	9.9	12.0	9.3	4.7	23.7	16.5	6.3
Unit Watts ⁶	930	1300	2100	2700	2700	2700	5000	5000	5000
In Rush Current (Amps)	56	69	55	100	80	48	165	149	75
Plug Type	5-15P	5-15P	6-20P	6-20P	L15-20P	L16-20P	6-30P	L15-30P	L16-20P
EER ⁴	12.9	13.8	11.4	13.4	13.4	13.4	12.0	12.0	12.0
Compressor HP	1	1 1/2	2	3	3	3	5	5	5
Compressor RLA	9.5	12.3	10.5	13.6	8.8	5.0	27.6	18.1	9.0
Compressor LRA	50	63	48	83	77	35	158	137	62
Evap CFM ³	400	600	810	1200	1200	1200	1950	1950	1950
Evap Motor HP	1/8	1/8	1/3	1/3	1/3	1/3	1	1	1
Evap Motor Watts	130	210	350	375	375	420	670	670	670
Cond Water Flow (GPM) at 60°F inlet	0.75	1.1	1.55	2.2	2.2	2.2	3.8	3.8	3.8
at 85°F inlet	3	4.5	6	9	9	9	15	15	15
Cond Coil Pressure Drop-PSI	0.4	0.4	0.4	0.4	0.4	0.4	0.4	0.4	0.4
Water Valve Pressure Drop PSI	2.0								
Water Valve Connection	3/8 MF			5/8 MF					
Drain (Return) Connection	3/8 MF			5/8 MF					
Condensate Pump (ALL UNITS)	20 Ft Lift - 3/8 MF Connection On Unit - DRAIN								
Sound Level ⁵	52	57	60	62	62	62	69	69	69
R-410A Charge Oz.	14	18	16	24	24	24	52	52	52
(A) Height with Casters (in.)	31 1/2		37 1/2		50-1/4			51	
(D) Height Without Casters (in.)	28 1/2		34 1/2		45			45-1/4	
(B) Width (in.)	20 1/8		24 1/4		28-1/4			27	
(C) Depth (in.)	13 1/8		13		18			29	
Net Weight (lb.)	125	155	170	275		305	375	410	
Shipping Weight (lb.)	145	175	190	305		335	430	465	
Shipping Volume (cu.ft.)	9	12		23			35		



SPECIFICATIONS SUBJECT TO CHANGE WITHOUT NOTICE

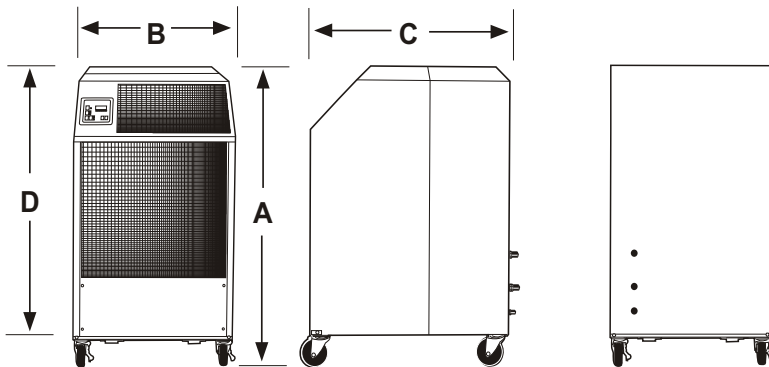
NOTES

1. Dedicated Circuit and Time Delay fuse or circuit breaker are recommended
2. Cooling Capacity is total BTUH at 80°DB/67° WB return air, with 85° EWT and 105° LWT
3. CFM with free discharge
4. Cooling EER is determined at high fan speed
5. Sound Pressure, dB at 5 feet, commercial operation
6. Amps & Watts at 208 Volts (208-230 V Models)

COOLING AMBIENT*

OPERATING RANGE 65° TO 105°

* May COOL down to 55° if equipped with hot gas bypass (factory installed)



WATER CONNECTIONS ARE LABELED ON BACK OF UNIT

NOT APPROVED FOR OUTDOOR USE

WARRANTY

ALL OCEANAIRE PRODUCTS ARE COVERED BY THE OCEANAIRE LIMITED WARRANTY

1 YEAR ON THE FULL PRODUCT

PLUS, 4 ADDITIONAL YEARS FOR THE COMPRESSOR (RESTRICTIONS APPLY)



WATER COOLED



OCEANAIRE

ACCESSORIES

NOZZLE KIT

NK-1 (2 X 4-INCH)
 NK-2 (2 X 6-INCH)
 2NK-3* (2 X 8-INCH)

MODELS

OWC12
 OWC18, 24
 OWC36, OWC60

HOSE KIT

HK-1 (10 FT)
 HK-2 (25 FT)
 HK-5 (40 FT)

OWC12, 18, 24
 OWC12, 18, 24
 OWC12, 18, 24

EVAPORATOR RETURN AIR PLENUM

DEP-10 (10-INCH) OWC12
 2DEP-12 (12-INCH) OWC18, 24
 DEP-16 (16-INCH) OWC36, 60

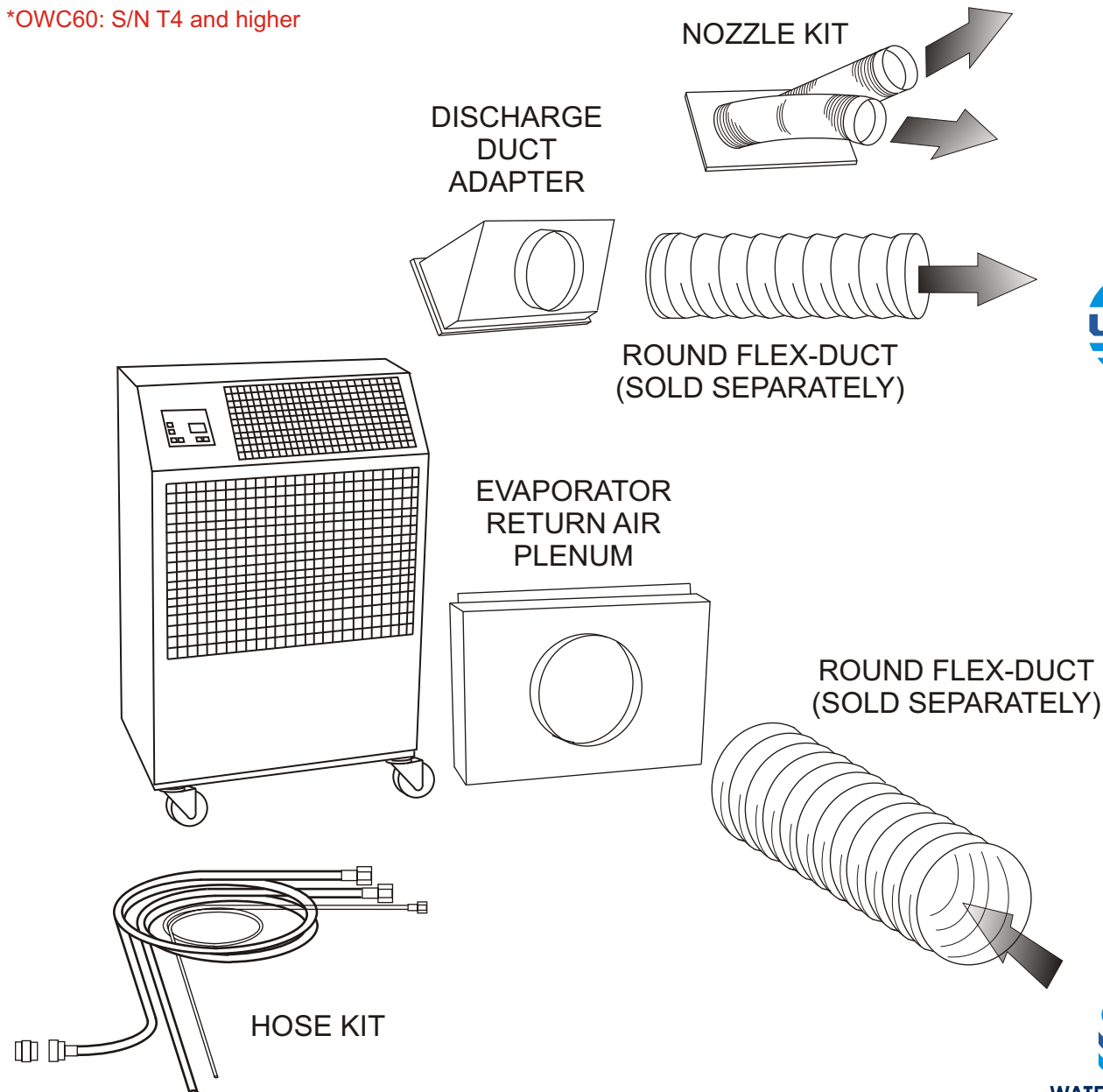
HK-3 (10 FT)
 HK-4 (25 FT)
 HK-6 (40 FT)

OWC36, 60
 OWC36, 60
 OWC36, 60

DISCHARGE DUCT ADAPTER

DDA-6 (6-INCH) OWC12
 DDA-10 (10-INCH) OWC18, 24
 2DDA-16* (16-INCH) OWC36, OWC60

*OWC60: S/N T4 and higher



WATER COOLED

OCEANAIRE 6228 Oakton Street Morton Grove, IL 60053

P 847.583.0311 F 847.583.0312 E sales@oceanaire-inc.com W www.oceanaire-inc.com



OA-TS-OWC-01292016